



ASM 102 S, remote control with 5 m cable length, English language, 110/130 V and US power cable

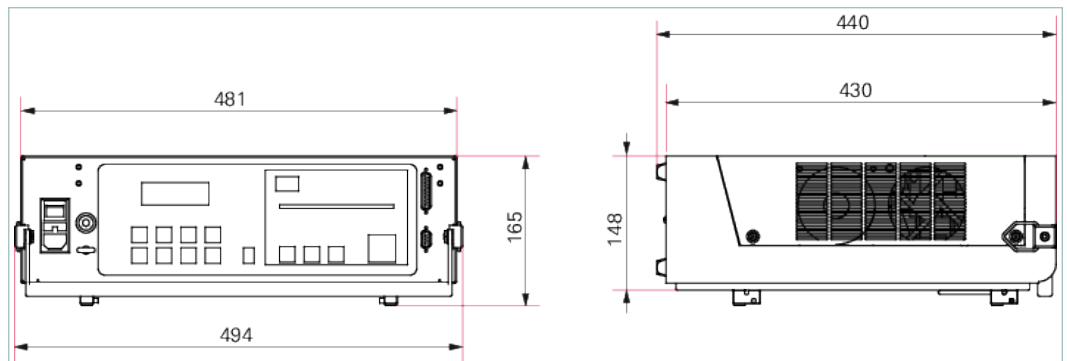


Similar Image

ASM 102 S, remote control with 5 m cable length, English language, 110/130 V and US power cable

- 110/130 V operating voltage
- US power cable
- Voice synthesizer in English
- Special remote control for sniffing leak detectors with 5 m cable length
- Sniffer probe with 5 m hose length and rigid 9 cm nozzle (order number SNC1E1T1)

Dimensions



Technical Data	ASM 102 S, remote control with 5 m cable length, English language, 110/130 V and US power cable
Backing pump	with oil free backing pump
Detectable gases	^4He
Dimensions (L x W x H)	494 x 456 x 164 mm
I/O interfaces	Digital inputs (Start sniffer, Calibration (on external leak), Zero); Digital outputs (Sniffing test in progress, helium signal above sniffer reject set point, default...); Analog outputs (Mantissa, Exponent)
Interface	RS-232
Language	English
Mains cable	US power cable
Measurement range	$1 \cdot 10^{-7}$ to 1 mbar l/s helium (0.1 ppm to 100 % helium)
Minimum detectable leak rate for helium (sniffing leak detection)	$1 \cdot 10^{-8}$ Pa m ³ /s
Noise level	56 dB(A)
Operating temperature	0 - 45 °C
Start-up time (20°C) without calibration	1.5 min
Supply	110-130 V, 50/60 Hz
Test method	Sniffing leak detection
Type	Mobile
User interface	Basic user interface
Weight	18 kg 39.68 lb

Order number

ASM 102 S, remote control with 5 m cable length

Z000002MB710

Accessories	
Sniffer probe	
Sniffer probe, 5 m hose length, flexible 15 cm nozzle	SNC1E3T1
Sniffing calibration accessory	
Sniffing calibration accessory, DN 16 ISO-KF	110715
Sniffing calibration accessory, DN 25 ISO-KF	110716

VACUUM SOLUTIONS FROM A SINGLE SOURCE

Pfeiffer Vacuum stands for innovative and custom vacuum solutions worldwide, technological perfection, competent advice and reliable service.

COMPLETE RANGE OF PRODUCTS

From a single component to complex systems:

We are the only supplier of vacuum technology that provides a complete product portfolio.

COMPETENCE IN THEORY AND PRACTICE

Benefit from our know-how and our portfolio of training opportunities!

We support you with your plant layout and provide first-class on-site service worldwide.

Are you looking for a
perfect vacuum solution?
Please contact us:

Pfeiffer Vacuum GmbH
Headquarters · Germany
T +49 6441 802-0
info@pfeiffer-vacuum.de

www.pfeiffer-vacuum.com

All data subject to change without prior notice.

PFEIFFER  **VACUUM**