



ASM 142 S, 5 m sniffer probe with rigid 9 cm nozzle, English language, 110/130 V and US power cable

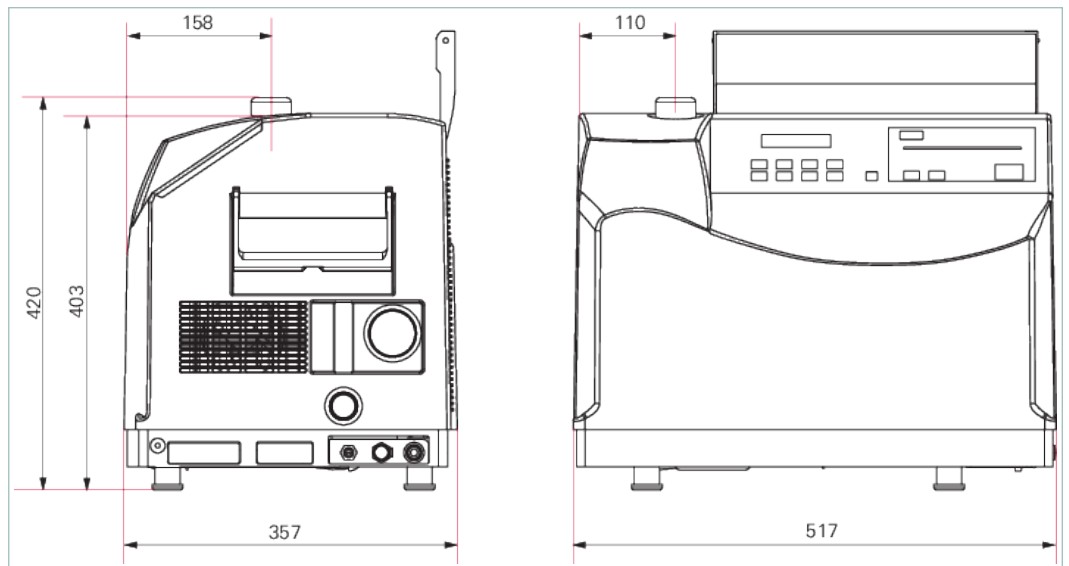


Similar Image

ASM 142 S, 5 m sniffer probe with rigid 9 cm nozzle, English language, 110/130 V and US power cable

- 110/130 V operating voltage
- US power cable
- Voice synthesizer in English
- Sniffer probe with 5 m hose and rigid 9 cm nozzle
- Special remote control for sniffing leak detectors available as an accessory

Dimensions



Technical Data	ASM 142 S, 5 m sniffer probe with rigid 9 cm nozzle, English language, 110/130 V and US power cable
Backing pump	with oil sealed backing pump
Detectable gases	^4He
Dimensions (L x W x H)	517 x 357 x 420 mm 20.35 x 14.06 x 16.54 inch
I/O interfaces	No
Interfaces	No
Language	English
Mains cable	US power cable
Measurement range	$1 \cdot 10^{-7}$ to 1 mbar l/s helium (0.1 ppm to 100 % helium)
Minimum detectable leak rate for helium (sniffing leak detection)	$1 \cdot 10^{-8}$ Pa m ³ /s
Noise level	57 dB(A)
Operating temperature	0 - 45 °C
Start-up temperature	10 - 45 °C
Start-up time (20°C) without calibration	2 min
Supply	110-130 V, 50/60 Hz
Test method	Sniffing leak detection
Type	Mobile
User interface	Basic user interface
Weight	55 kg 121.25 lb

Order number	
ASM 142 S, 5 m sniffer probe with rigid 9 cm nozzle	U0RS0A10B710

Accessories	
Sniffing calibration accessory	
Sniffing calibration accessory, DN 16 ISO-KF	110715
Sniffing calibration accessory, DN 25 ISO-KF	110716
Remote control for sniffing leak detectors	
Remote control for sniffing leak detectors, 5 m cable	112747

VACUUM SOLUTIONS FROM A SINGLE SOURCE

Pfeiffer Vacuum stands for innovative and custom vacuum solutions worldwide, technological perfection, competent advice and reliable service.

COMPLETE RANGE OF PRODUCTS

From a single component to complex systems:

We are the only supplier of vacuum technology that provides a complete product portfolio.

COMPETENCE IN THEORY AND PRACTICE

Benefit from our know-how and our portfolio of training opportunities!

We support you with your plant layout and provide first-class on-site service worldwide.

Are you looking for a
perfect vacuum solution?
Please contact us:

Pfeiffer Vacuum GmbH
Headquarters · Germany
T +49 6441 802-0
info@pfeiffer-vacuum.de

www.pfeiffer-vacuum.com

All data subject to change without prior notice.

PFEIFFER  **VACUUM**